

Material Handling Machine

LH 60 Port

Litronic®



Generation

6

Operating Weight

59,900 – 77,300 kg*

Engine

190 kW / 258 HP

Stage V

Stage IIIA (compliant)

System Performance

322 kW

* Without attachment

LIEBHERR

Technical Data



Diesel Engine

Rating per ISO 9249	190 kW (258 HP) at 1,800 RPM
Model	Liebherr D944
Type	4 cylinder in-line
Bore/Stroke	130/150 mm
Displacement	8.0 l
Engine operation	4-stroke diesel Common-Rail turbo-charged and after-cooled reduced emissions
Air cleaner	dry-type air cleaner with pre-cleaner, primary and safety elements
Engine idling	sensor controlled
Electrical system	
Voltage	24 V
Batteries	2 x 180 Ah/12 V
Alternator	three-phase current 28 V/140 A
Stage V	
Harmful emissions values	according to regulation (EU) 2016/1628
Emission control	Liebherr-SCRFilter technology
Fuel tank	518 l
Urea tank	65 l
Stage IIIA (compliant)	
Harmful emissions values	in accordance with ECE-R.96 Power Band H
Fuel tank	518 l



Cooling System

Diesel engine	water-cooled compact cooling system consisting cooling unit for water, hydraulic oil and charge air with stepless thermostatically controlled fan
----------------------	--



Hydraulic Controls

Power distribution	via control valves with integrated safety valves, simultaneous actuation of chassis and equipment. Swing drive in separate closed circuit
Servo circuit	
Equipment and swing	with electro-hydraulic pilot control and proportional joystick levers
Chassis	
Mobile	electroproportional via foot pedal
Crawler	with electric proportionally functioning foot pedals or adjusted with plugable levers
Additional functions	via switch or electroproportional foot pedals
Proportional control	proportionally acting transmitters on the joysticks for additional hydraulic functions



Hydraulic System

Hydraulic pump	for equipment and travel drive	2 Liebherr axial piston variable displacement pumps (double construction)
Max. flow		2 x 302 l/min.
Max. pressure for swing drive		350 bar
		reversible axial piston variable displacement pump, closed-loop circuit
Max. flow		199 l/min.
Max. pressure		370 bar
Hydraulic pump regulation and control		2 circuit Liebherr-Synchron-Comfort-system (LSC) with electronic engine speed sensing regulation, pressure and flow compensation, automatic oil flow optimizer
Hydraulic tank		265 l
Hydraulic system		890 l
Hydraulic oil filter		2 main return filters with integrated partial micro filtration (5 µm)
MODE selection		adjustment of engine and hydraulic performance via a mode pre-selector to match application, e.g. for especially economical and environmentally friendly operation or for maximum material handling and heavy-duty jobs
S (Sensitive)		mode for precision work and lifting through very sensitive movements
E (Eco)		mode for especially economical and environmentally friendly operation
P (Power)		mode for high performance with low fuel consumption
P+ (Power-Plus)		mode for highest performance and for very heavy duty applications, suitable for continuous operation
Engine speed and performance setting		stepless alignment of engine output and hydraulic power via engine speed
Option		Tool Control: 20 preadjustable pump flows and pressures for add-on attachments



Swing Drive

Drive	Liebherr axial piston motor in a closed system, Liebherr planetary reduction gear
Swing ring	Liebherr, sealed race ball bearing swing ring, internal teeth
Swing speed	0 – 6.5 RPM stepless
Swing torque	118 kNm
Holding brake	wet multi-disc (spring applied, pressure released)
Option	slewing gear brake Comfort



Operator's Cab

Cab	safety cab structure with individual windscreens or featuring a slide-in subpart under the ceiling, work headlights integrated in the ceiling, a door with a sliding window (can be opened on both sides), large stowing and depositing possibilities, shock-absorbing suspension, sounddampening insulating, tinted laminated safety glass, separate shades for the sunroof window and windscreen
High Rise	deviating from standard: safety cab structure with fixed built-in front and roof window made from impact-resistant laminated safety glass
Operator's seat Comfort	air cushioned operator's seat with 3D-adjustable armrests, headrest, lap belt, seat heater, adjustable seat cushion inclination and length, lockable horizontal suspension, automatic weight adjustment, adjustable suspension stiffness, pneumatic lumbar vertebrae support and passive seat climatisation with active coal
Operator's seat Premium (Option)	in addition to operator's seat comfort: active electronic weight adjustment (automatic re-adjustment), pneumatic low frequency suspension and active seat climatisation with active coal and ventilator
Control system	joysticks with control consoles and swivel seat, folding left control console
Operation and displays	large high-resolution operating unit, self-explanatory, colour display with touchscreen, video-compatible, numerous setting, control and monitoring options, e.g. air conditioning control, fuel consumption, machine and attachment parameters
Air-conditioning	automatic air-conditioning, recirculated air function, fast de-icing and demisting at the press of a button, air vents can be operated via a menu; recirculated air and fresh air filters can be easily replaced and are accessible from the outside; heating-cooling unit, designed for extreme outside temperatures, sensors for solar radiation, inside and outside temperatures
Refrigerant	R134a
Global warming potential	1,430
Quantity at 25 °C *	1,400 – 2,000 g
CO ₂ equivalent *	2.002 – 2.86 t
Vibration emission**	
Hand/arm vibrations	< 2.5 m/s ²
Whole-body vibrations	< 0.5 m/s ²
Measuring inaccuracy	according with standard EN 12096:1997



Equipment

Type	weight-optimised design for bulk and general cargo handling at optimal handling capacity. Complex and stable mountings of equipment and cylinders
Hydraulic cylinders	Liebherr cylinders with special sealing and guide system and, depending on cylinder type, shock absorption
Energy recovering cylinder	Liebherr gas cylinder with special sealing and control system
Bearings	sealed, low maintenance

* depending on configuration

** for risk assessment according to 2002/44/EC see ISO/TR 25398:2006



Undercarriage

Mobile	
Version	Standard, High Rise
Drive	one axle drive per drive axle with Liebherr axial piston motor and functional brake valve on both sides
Travel speed	
Joystick steering	0 – 4.0 km/h stepless (creeper speed) 0 – 12.0 km/h stepless 0 – 3.5 km/h stepless (creeper speed) (High Rise) 0 – 10.0 km/h stepless (High Rise)
Driving operation	automotive driving using accelerator pedal, cruise control function: storage of variable accelerator pedal positions
Axles	70 t/90 t drive axles (LH 60 M/LH 60 M High Rise); manual or automatic hydraulically controlled front axle oscillation lock
Service brake	two circuit travel brake system with accumulator; disc brake
Holding brake	wet multi-disc (spring applied, pressure released)
Stabilization	4 point outriggers
Crawler	
Versions	SW, High Rise
Drive	Liebherr compact planetary reduction gear with Liebherr axial piston motor per side of undercarriage
Travel speed	0 – 2.8 km/h stepless (creeper speed) 0 – 4.0 km/h stepless 0 – 2.5 km/h stepless (creeper speed) (High Rise) 0 – 4.0 km/h stepless (High Rise)
Brake	functional brake valves on both sides
Holding brake	wet multi-disc (spring applied, pressure released)
Track pads	triple grouser, flat
Tracks	sealed and greased

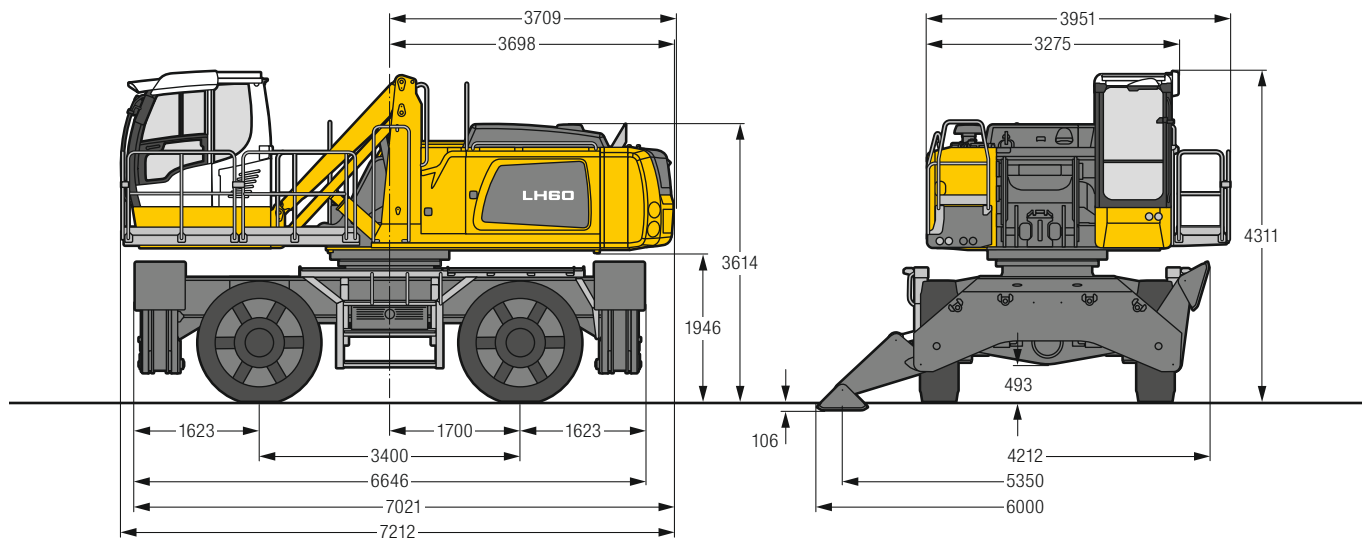


Complete Machine

Lubrication	Liebherr central lubrication system for upper-carriage and equipment, automatically
Mobile (Option)	Liebherr central lubrication system for undercarriage, automatically
Steps system	safe and durable access system with anti-slip steps; main components hot-galvanised
Noise emission	
ISO 6396	L _{PA} (inside cab) = 70 dB(A) (Stage V)
2000/14/EC	L _{WA} (surround noise) = 103 dB(A) (Stage V)
ISO 6396	L _{PA} (inside cab) = not specified (Stage IIIA compliant)
2000/14/EC	L _{WA} (surround noise) = not specified (Stage IIIA compliant)

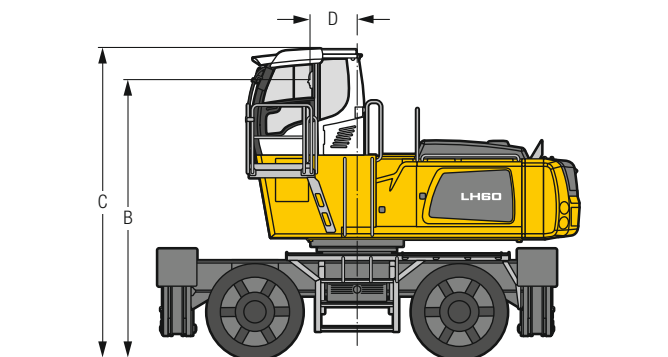
LH 60 M – Dimensions

Port



LH 60 M – Choice of Cab Elevation

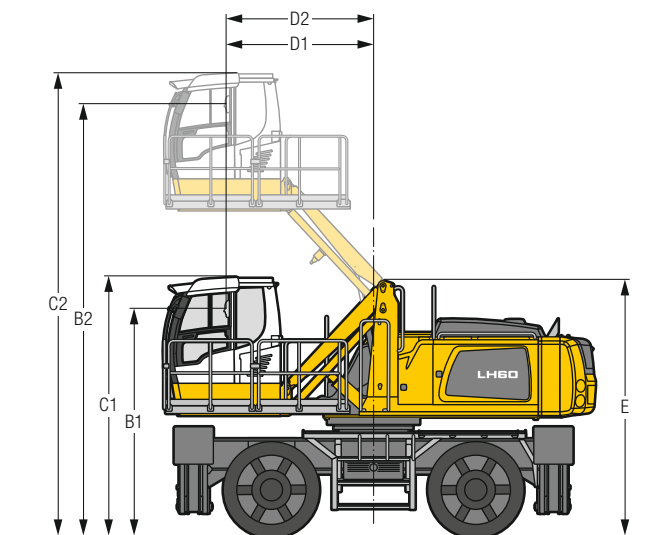
Cab Elevation LFC (Rigid Elevation)



Increase type	LFC 120
Height	1,200 mm
B	4,646 mm
C	5,159 mm
D	788 mm

A rigid cab elevation has a fixed eye level height. For a lower transport height, the shell of the cab can be removed and replaced by a transport device. The dimension C is in this machine design for all rigid cab elevations 4,263 mm.

Cab Elevation LHC (Hydraulic Elevation)



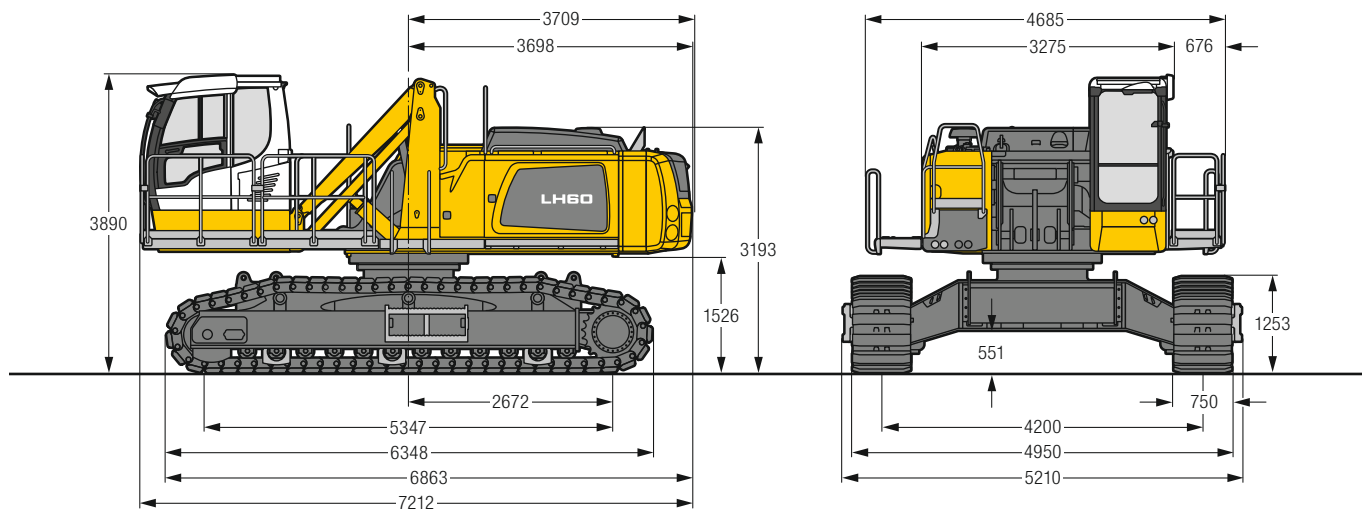
Increase type		LHC 255	LHC 340-35
B1	mm	3,436	3,797
B2	mm	5,983	7,213
C1	mm	3,949	4,311
C2	mm	6,496	7,727
D1	mm	1,343	2,457
D2	mm	1,469	2,457
E	mm	3,851	4,251

The hydraulically adjustable cab allows the driver, that he can choose his field of view freely and at any time within the stroke.

Tyres 18.00-25

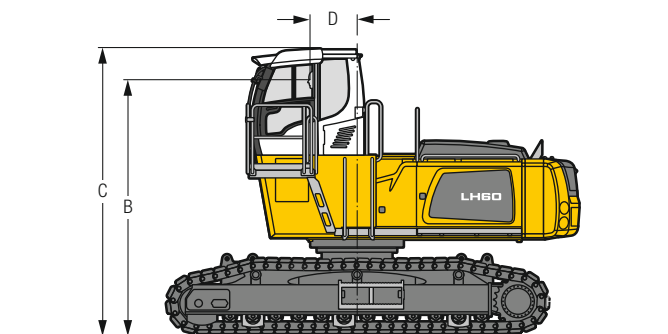
LH 60 C – Dimensions

Port



LH 60 C – Choice of Cab Elevation

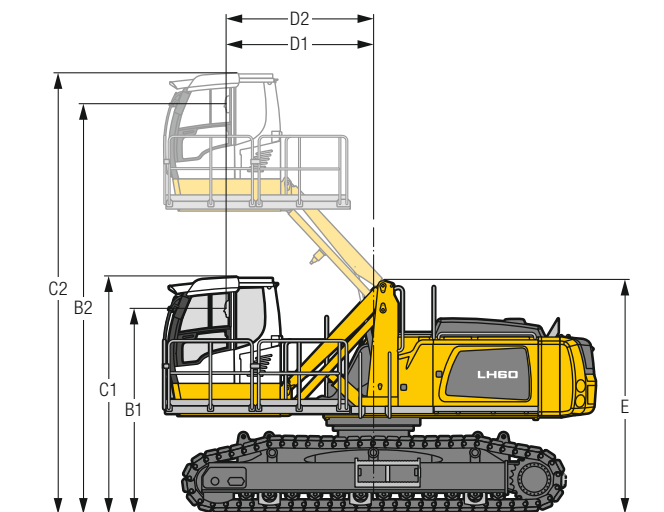
Cab Elevation LFC (Rigid Elevation)



Increase type	LFC 120
Height	1,200 mm
B	4,228 mm
C	4,741 mm
D	788 mm

A rigid cab elevation has a fixed eye level height. For a lower transport height, the shell of the cab can be removed and replaced by a transport device. The dimension C is in this machine design for all rigid cab elevations 3,845 mm.

Cab Elevation LHC (Hydraulic Elevation)

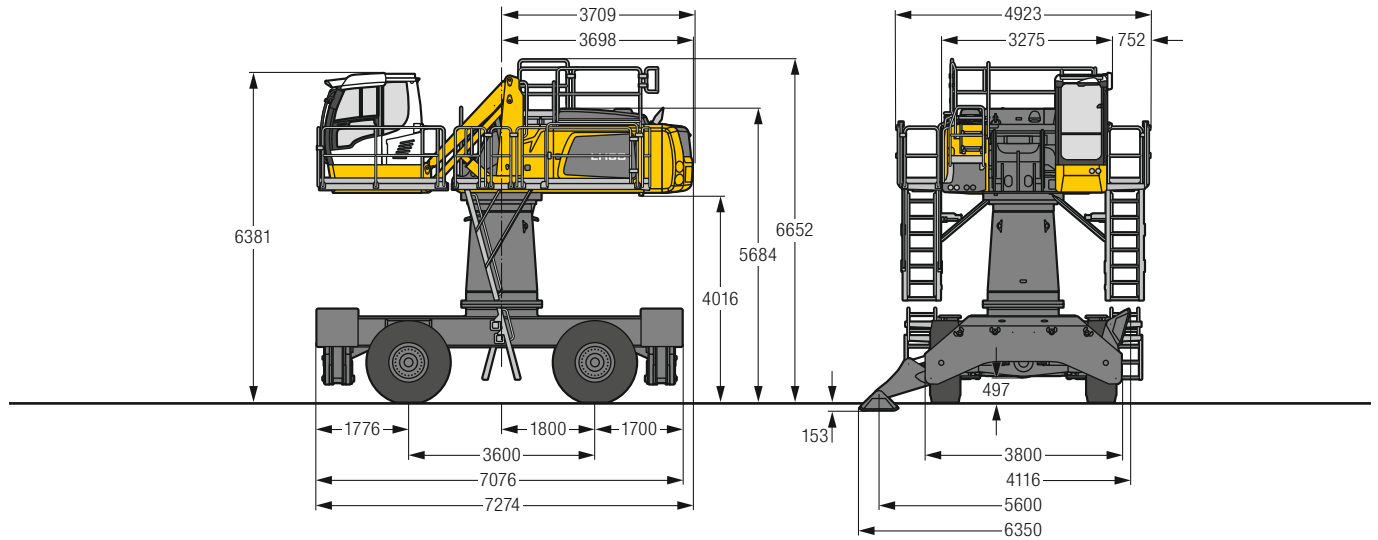


Increase type		LHC 255	LHC 340-35
B1	mm	3,025	3,377
B2	mm	5,572	6,793
C1	mm	3,539	3,890
C2	mm	6,086	7,306
D1	mm	1,343	2,457
D2	mm	1,469	2,457
E	mm	3,441	3,831

The hydraulically adjustable cab allows the driver, that he can choose his field of view freely and at any time within the stroke.

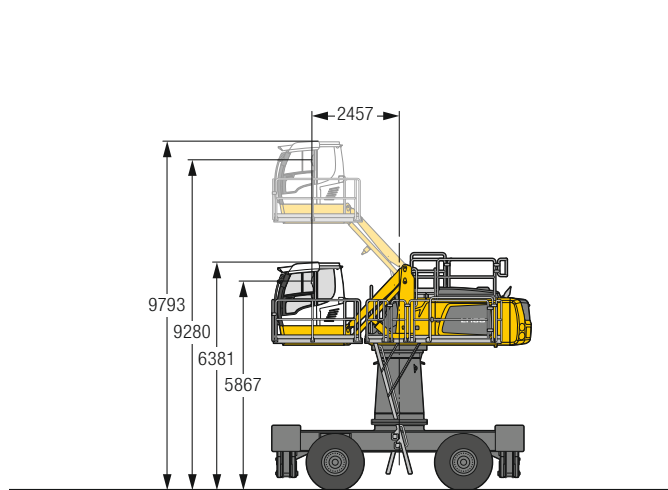
LH 60 M HR – Dimensions

Port



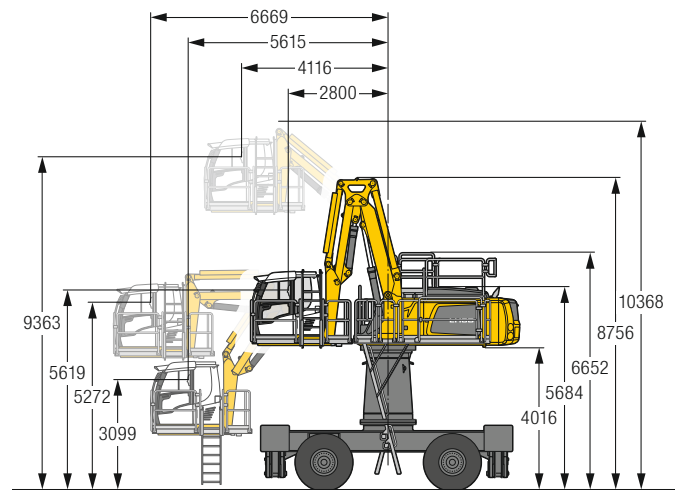
LH 60 M HR – Choice of Cab Elevation

Cab Elevation LHC (Hydraulic Elevation)



Increase type **LHC 340-35**
 The hydraulically adjustable cab allows the driver, that he can choose his field of view freely and at any time within the stroke.

Cab Elevation LHC-D (Hydraulic Elevation)

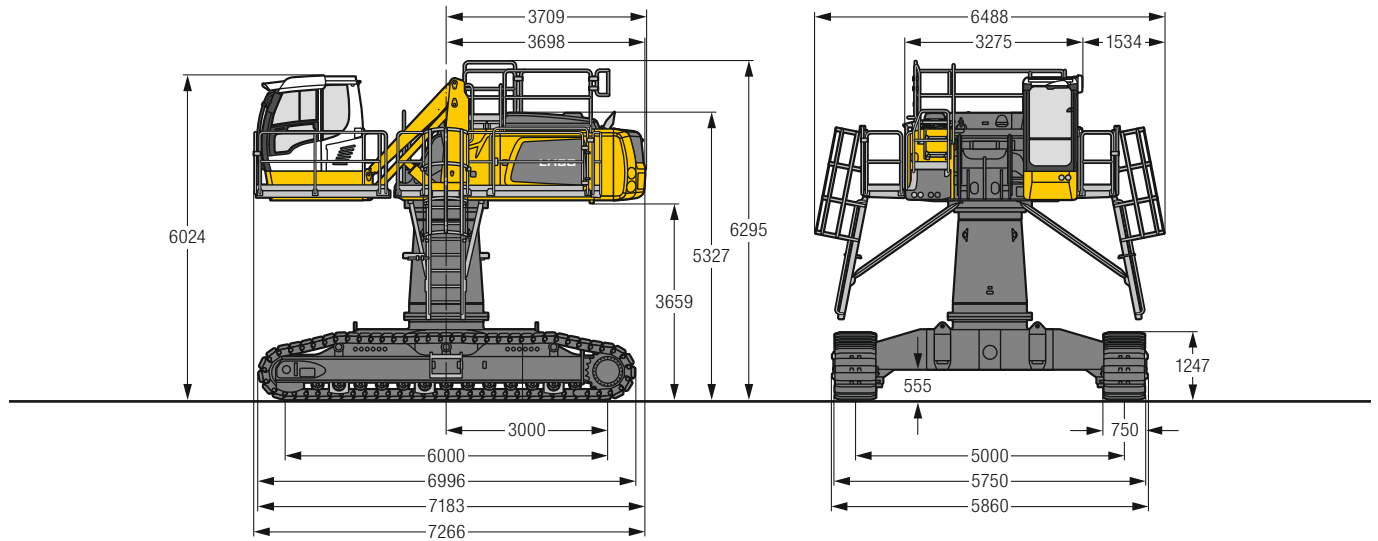


Increase type **LHC-D 730**
 The hydraulically adjustable cab allows the driver, that he can choose his field of view freely and at any time within the stroke.

Tyres 23.5-25

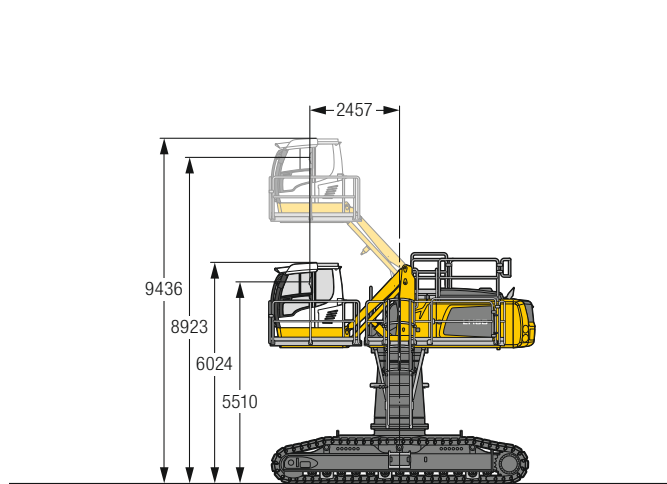
LH 60 C HR – Dimensions

Port



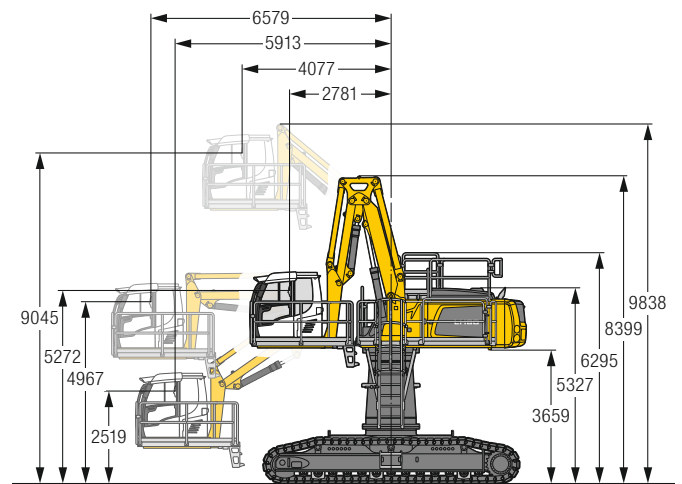
LH 60 C HR – Choice of Cab Elevation

Cab Elevation LHC (Hydraulic Elevation)



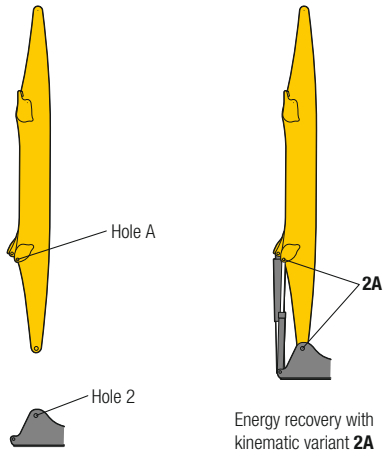
Increase type **LHC 340-35**
 The hydraulically adjustable cab allows the driver, that he can choose his field of view freely and at any time within the stroke.

Cab Elevation LHC-D (Hydraulic Elevation)

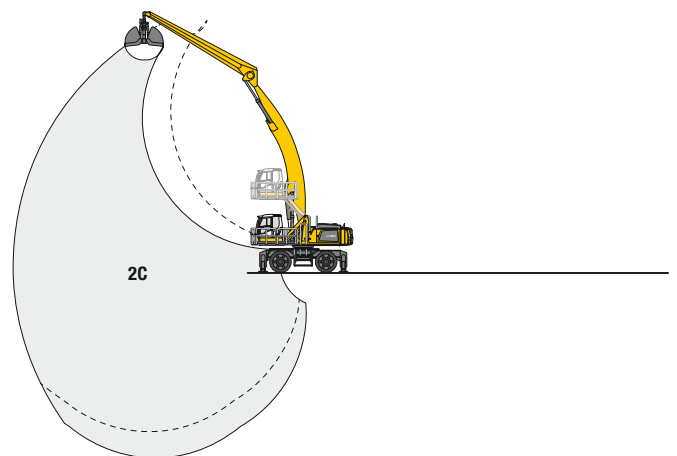
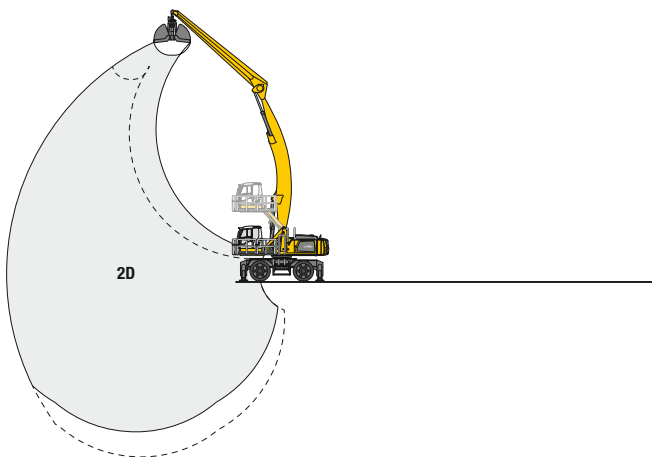
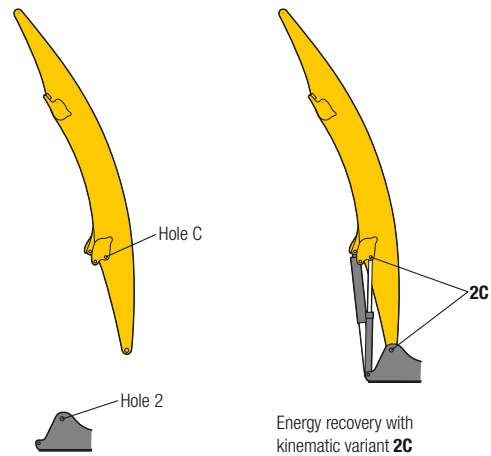
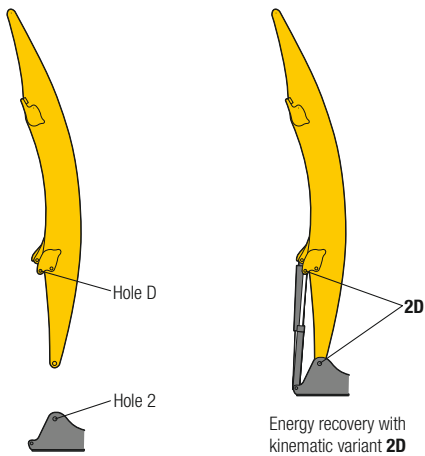


Increase type **LHC-D 730**
 The hydraulically adjustable cab allows the driver, that he can choose his field of view freely and at any time within the stroke.

Kinematic Variant 2A



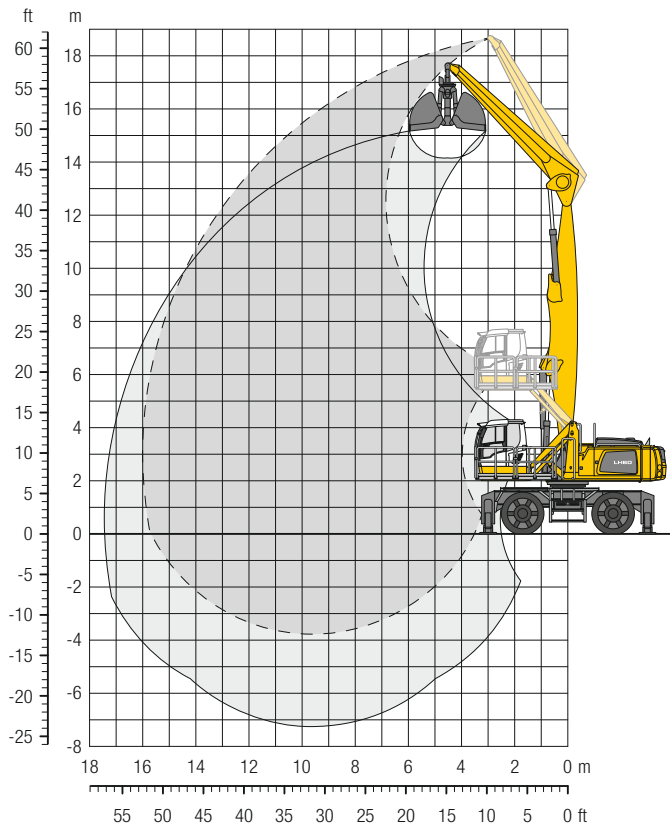
Kinematic Variant 2D/2C



Altered range curve with additional reach depth, e.g. for unloading from ships

LH 60 M – Equipment GG16

Port – Kinematic 2A

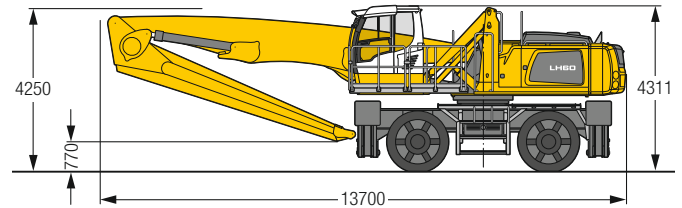


Operating Weight

The operating weight includes the basic machine with 4 point outriggers, hydr. cab elevation, 4 solid tyres, straight boom 9.50 m, straight stick 6.80 m and grab for loose material GMZ 80/6.00 m³.

Weight 63,900 kg

Dimensions



m	6.0 m		7.5 m		9.0 m		10.5 m		12.0 m		13.5 m		15.0 m		16.5 m		18.0 m		19.5 m		21.0 m		22.5 m		m				
	4 pt. outriggers down	4 pt. outriggers down	4 pt. outriggers down	4 pt. outriggers down	4 pt. outriggers down	4 pt. outriggers down	4 pt. outriggers down	4 pt. outriggers down	4 pt. outriggers down	4 pt. outriggers down	4 pt. outriggers down	4 pt. outriggers down	4 pt. outriggers down	4 pt. outriggers down	4 pt. outriggers down	4 pt. outriggers down	4 pt. outriggers down	4 pt. outriggers down	4 pt. outriggers down	4 pt. outriggers down	4 pt. outriggers down	4 pt. outriggers down	4 pt. outriggers down	4 pt. outriggers down	4 pt. outriggers down	4 pt. outriggers down	4 pt. outriggers down		
18.0																										15.6"	15.6"	5.4	
16.5																											11.9"	11.9"	8.5
15.0																											10.4"	10.4"	10.6
13.5																											9.5"	9.5"	12.1
12.0																											9.0"	9.0"	13.2
10.5																											8.7"	8.7"	14.1
9.0																											8.5"	8.5"	14.8
7.5																											8.4"	8.4"	15.4
6.0																											8.4"	8.4"	15.7
4.5																											8.5"	8.5"	15.9
3.0																											8.4"	8.4"	16.0
1.5																											7.8"	7.8"	15.9
0																											7.2"	7.2"	15.7
-1.5																											7.7"	7.7"	14.7
-3.0																											9.0"	9.0"	12.8

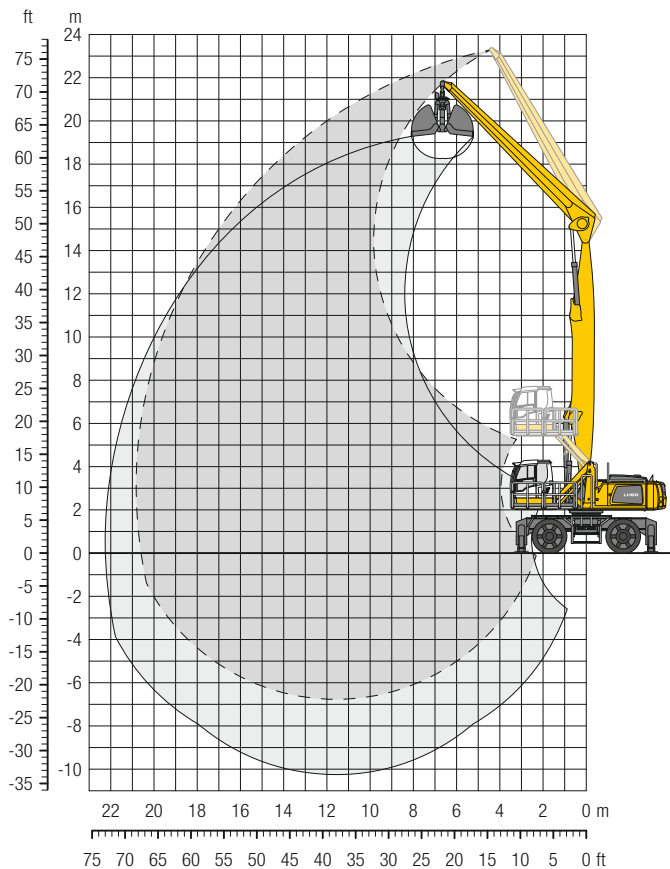
Height **Can be slewed through 360°** **In longitudinal position of undercarriage** **Max. reach** * Limited by hydr. capacity

The lift capacities on the stick end without attachment are stated in metric tons (t) and are valid on a firm, level supporting surface with blocked oscillating axle. These capacities can be slewed through 360° with the undercarriage in the transverse position. Capacities in the longitudinal position of the undercarriage (+/- 15°) are specified over the rigid axle with the stabilizers down. Indicated loads based on the ISO 10567 standard and do not exceed 75% of tipping or 87% of hydraulic capacity. The lift capacity values indicated are attained at the corresponding operating temperature. This operating temperature is ensured by continuous movement of the boom. Weights of fitted attachments (grabs, load hooks, etc.) and load accommodation attachment are to be deducted from the lift capacity values. The lift capacity of the unit is limited by its stability, the lifting capability of the hydraulic elements, or the maximum permissible lifting capacity of the load hook.

In accordance with the harmonised European Standard EN 474-5, hydraulic excavators used for lifting operations must be equipped with pipe fracture safety valves, an overload warning device, a load hook and a lift capacity chart.

LH 60 M – Equipment GG21

Port – Kinematic 2A

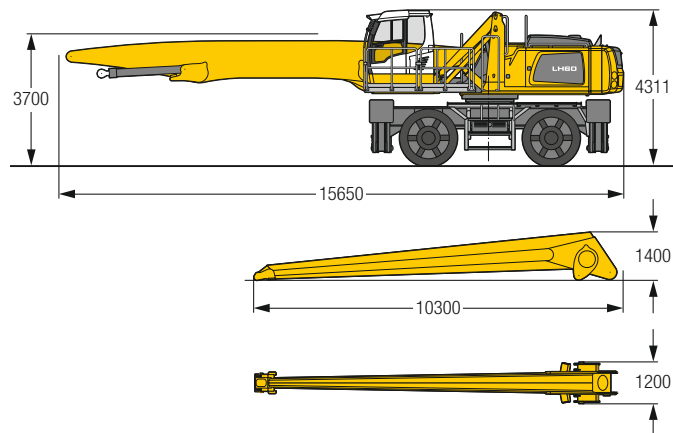


Operating Weight

The operating weight includes the basic machine with 4 point outriggers, hydr. cab elevation, 4 solid tyres, straight boom 11.50 m, straight stick 9.80 m and grab for loose material GMZ 80/4.00 m³.

Weight 64,800 kg

Dimensions



m	Undercarriage	6.0 m		7.5 m		9.0 m		10.5 m		12.0 m		13.5 m		15.0 m		16.5 m		18.0 m		19.5 m		21.0 m		22.5 m		m		
		4 pt. outriggers down	4 pt. outriggers down	4 pt. outriggers down	4 pt. outriggers down	4 pt. outriggers down	4 pt. outriggers down	4 pt. outriggers down	4 pt. outriggers down	4 pt. outriggers down	4 pt. outriggers down	4 pt. outriggers down	4 pt. outriggers down	4 pt. outriggers down	4 pt. outriggers down	4 pt. outriggers down	4 pt. outriggers down	4 pt. outriggers down	4 pt. outriggers down	4 pt. outriggers down	4 pt. outriggers down	4 pt. outriggers down	4 pt. outriggers down	4 pt. outriggers down	4 pt. outriggers down	4 pt. outriggers down	4 pt. outriggers down	4 pt. outriggers down
22.5	4 pt. outriggers down	12.1*	12.1*																							10.5*	10.5*	7.1
21.0	4 pt. outriggers down			11.6*	11.6*	10.2*	10.2*																			8.3*	8.3*	10.4
19.5	4 pt. outriggers down					11.2*	11.2*	10.1*	10.1*	8.4*	8.4*															7.3*	7.3*	12.7
18.0	4 pt. outriggers down							10.8*	10.8*	9.8*	9.8*	8.3*	8.3*													6.7*	6.7*	14.4
16.5	4 pt. outriggers down							10.7*	10.7*	9.8*	9.8*	9.0*	9.0*	7.8*	7.8*											6.2*	6.2*	15.8
15.0	4 pt. outriggers down							10.6*	10.6*	9.7*	9.7*	8.9*	8.9*	8.3*	8.3*	7.1*	7.1*									6.0*	6.0*	17.0
13.5	4 pt. outriggers down							10.6*	10.6*	9.7*	9.7*	8.9*	8.9*	8.3*	8.3*	7.7*	7.7*									5.8*	5.8*	18.0
12.0	4 pt. outriggers down							10.7*	10.7*	9.7*	9.7*	8.9*	8.9*	8.3*	8.3*	7.7*	7.7*	7.2*	7.2*							5.6*	5.6*	18.8
10.5	4 pt. outriggers down					11.9*	11.9*	10.9*	10.9*	9.9*	9.9*	9.0*	9.0*	8.3*	8.3*	7.7*	7.7*	7.2*	7.2*							5.5*	5.5*	19.4
9.0	4 pt. outriggers down					12.4*	12.4*	11.1*	11.1*	10.0*	10.0*	9.2*	9.2*	8.4*	8.4*	7.8*	7.8*	7.2*	7.2*	6.5	6.6*					5.5*	5.5*	19.9
7.5	4 pt. outriggers down			12.1*	12.1*	13.0*	13.0*	11.5*	11.5*	10.3*	10.3*	9.3*	9.3*	8.5*	8.5*	7.8*	7.8*	7.2*	7.2*	6.4	6.6*					5.5*	5.5*	20.3
6.0	4 pt. outriggers down	12.1*	12.1*	14.8*	14.8*	13.6*	13.6*	11.9*	11.9*	10.6*	10.6*	9.5*	9.5*	8.6*	8.6*	7.9*	7.9*	7.2*	7.2*	6.3	6.6*					5.5*	5.5*	20.6
4.5	4 pt. outriggers down	21.1*	21.1*	17.0*	17.0*	14.2*	14.2*	12.3*	12.3*	10.8*	10.8*	9.7*	9.7*	8.7*	8.7*	7.9*	7.9*	7.2*	7.2*	6.3	6.5*					5.6*	5.6*	20.8
3.0	4 pt. outriggers down	22.5*	22.5*	17.8*	17.8*	14.8*	14.8*	12.6*	12.6*	11.1*	11.1*	9.8*	9.8*	8.8*	8.8*	7.9*	7.9*	7.0	7.2*	6.2	6.4*					5.4*	5.4*	20.8
1.5	4 pt. outriggers down	11.6*	11.6*	18.4*	18.4*	15.2*	15.2*	12.9*	12.9*	11.2*	11.2*	9.9*	9.9*	8.8*	8.8*	7.9*	7.9*	6.9	7.1*	6.1	6.2*					5.1*	5.1*	20.8
0	4 pt. outriggers down	7.6*	7.6*	18.6*	18.6*	15.3*	15.3*	13.0*	13.0*	11.2*	11.2*	9.9*	9.9*	8.7*	8.7*	7.7	7.8*	6.8	6.8*	5.8*	5.8*					4.8*	4.8*	20.6
-1.5	4 pt. outriggers down	7.0*	7.0*	14.2*	14.2*	15.1*	15.1*	12.8*	12.8*	11.1*	11.1*	9.7*	9.7*	8.5*	8.5*	7.5*	7.5*	6.5*	6.5*	5.3*	5.3*					4.4*	4.4*	20.3
-3.0	4 pt. outriggers down	7.4*	7.4*	12.8*	12.8*	14.5*	14.5*	12.4*	12.4*	10.7*	10.7*	9.3*	9.3*	8.1*	8.1*	7.0*	7.0*	5.9*	5.9*							4.6*	4.6*	19.3
-4.5	4 pt. outriggers down	8.1*	8.1*	12.8*	12.8*	13.3*	13.3*	11.5*	11.5*	9.9*	9.9*	8.6*	8.6*	7.4*	7.4*	6.3*	6.3*									5.1*	5.1*	17.9
-6.0	4 pt. outriggers down			11.6*	11.6*	10.1*	10.1*	8.8*	8.8*	7.6*	7.6*			6.4*	6.4*											6.0*	6.0*	15.4

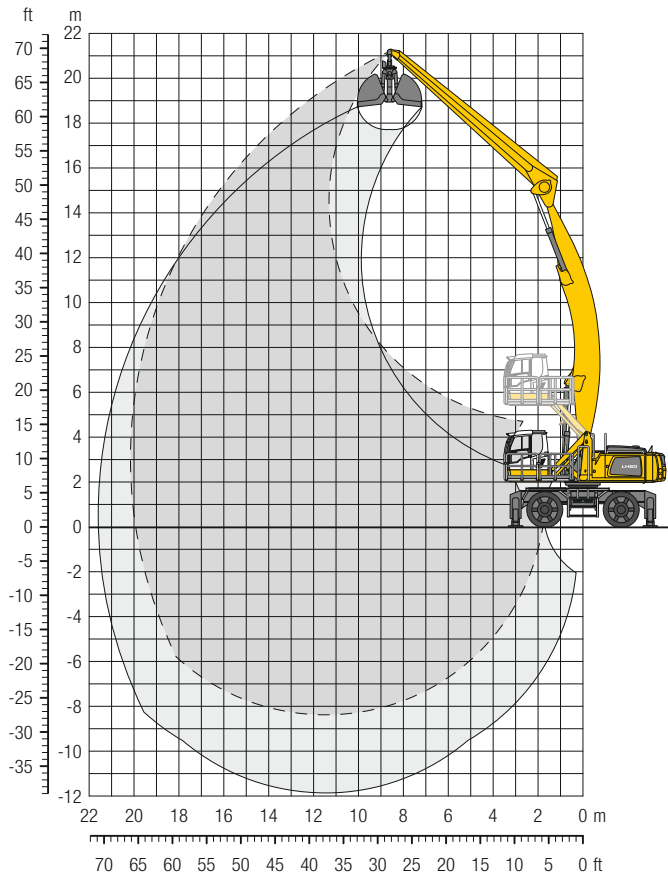
Height Can be slewed through 360° In longitudinal position of undercarriage Max. reach * Limited by hydr. capacity

The lift capacities on the stick end without attachment are stated in metric tons (t) and are valid on a firm, level supporting surface with blocked oscillating axle. These capacities can be slewed through 360° with the undercarriage in the transverse position. Capacities in the longitudinal position of the undercarriage (+/- 15°) are specified over the rigid axle with the stabilizers down. Indicated loads based on the ISO 10567 standard and do not exceed 75% of tipping or 87% of hydraulic capacity. The lift capacity values indicated are attained at the corresponding operating temperature. This operating temperature is ensured by continuous movement of the boom. Weights of fitted attachments (grabs, load hooks, etc.) and load accommodation attachment are to be deducted from the lift capacity values. The lift capacity of the unit is limited by its stability, the lifting capability of the hydraulic elements, or the maximum permissible lifting capacity of the load hook.

In accordance with the harmonised European Standard EN 474-5, hydraulic excavators used for lifting operations must be equipped with pipe fracture safety valves, an overload warning device, a load hook and a lift capacity chart.

LH 60 M – Equipment AG20

Port – Kinematic 2D

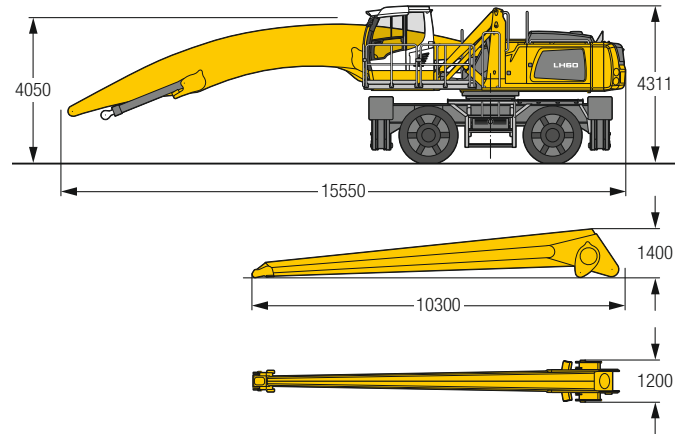


Operating Weight

The operating weight includes the basic machine with 4 point outriggers, hydr. cab elevation, 4 solid tyres, angled boom 11.50 m, straight stick 9.80 m and grab for loose material GMZ 80/4.00 m³.

Weight 65,300 kg

Dimensions



m	Undercarriage	6.0 m		7.5 m		9.0 m		10.5 m		12.0 m		13.5 m		15.0 m		16.5 m		18.0 m		19.5 m		21.0 m		22.5 m		m				
		4 pt. outriggers down	4 pt. outriggers down	4 pt. outriggers down	4 pt. outriggers down	4 pt. outriggers down	4 pt. outriggers down	4 pt. outriggers down	4 pt. outriggers down	4 pt. outriggers down	4 pt. outriggers down	4 pt. outriggers down	4 pt. outriggers down	4 pt. outriggers down	4 pt. outriggers down	4 pt. outriggers down	4 pt. outriggers down	4 pt. outriggers down	4 pt. outriggers down	4 pt. outriggers down	4 pt. outriggers down	4 pt. outriggers down	4 pt. outriggers down	4 pt. outriggers down	4 pt. outriggers down	4 pt. outriggers down	4 pt. outriggers down	4 pt. outriggers down		
21.0	4 pt. outriggers down																													
19.5	4 pt. outriggers down							8.1*	8.1*																		7.8*	7.8*	9.0	
18.0	4 pt. outriggers down									8.1*	8.1*																	6.8*	6.8*	11.5
16.5	4 pt. outriggers down									8.4*	8.4*	7.9*	7.9*															6.3*	6.3*	13.4
15.0	4 pt. outriggers down									8.3*	8.3*	7.8*	7.8*															6.0*	6.0*	15.0
13.5	4 pt. outriggers down									8.3*	8.3*	7.7*	7.7*	7.3*	7.3*													5.7*	5.7*	16.2
12.0	4 pt. outriggers down									8.4*	8.4*	7.8*	7.8*	7.3*	7.3*	6.8*	6.8*											5.6*	5.6*	17.2
10.5	4 pt. outriggers down									8.4*	8.4*	7.8*	7.8*	7.3*	7.3*	6.9*	6.9*	5.6*	5.6*									5.5*	5.5*	18.0
9.0	4 pt. outriggers down									9.3*	9.3*	8.5*	8.5*	7.9*	7.9*	7.4*	7.4*	6.9*	6.9*	6.6*	6.6*							5.5*	5.5*	18.7
7.5	4 pt. outriggers down									9.6*	9.6*	8.7*	8.7*	8.0*	8.0*	7.5*	7.5*	7.0*	7.0*	6.6*	6.6*							5.5*	5.5*	19.3
6.0	4 pt. outriggers down									11.2*	11.2*	10.0*	10.0*	9.0*	9.0*	8.2*	8.2*	7.6*	7.6*	7.1*	7.1*	6.6*	6.6*	5.9*	5.9*			5.5*	5.5*	19.7
4.5	4 pt. outriggers down									13.8*	13.8*	11.9*	11.9*	10.4*	10.4*	9.3*	9.3*	8.5*	8.5*	7.8*	7.8*	7.2*	7.2*	6.7*	6.7*	6.3*	6.3*	5.6*	5.6*	19.9
3.0	4 pt. outriggers down	18.4*	18.4*	14.9*	14.9*	12.6*	12.6*	10.9*	10.9*	12.6*	12.6*	10.9*	10.9*	9.7*	9.7*	8.7*	8.7*	8.0*	8.0*	7.3*	7.3*	6.8*	6.8*	6.3*	6.3*	5.7*	5.7*	20.1		
1.5	4 pt. outriggers down	20.2*	20.2*	16.0*	16.0*	13.3*	13.3*	11.4*	11.4*	13.3*	13.3*	11.4*	11.4*	10.0*	10.0*	9.0*	9.0*	8.1*	8.1*	7.4*	7.4*	6.8*	6.8*	6.2*	6.3*	5.8*	5.9*	20.2		
0	4 pt. outriggers down	17.5*	17.5*	16.9*	16.9*	13.9*	13.9*	11.9*	11.9*	13.9*	13.9*	11.9*	11.9*	10.4*	10.4*	9.2*	9.2*	8.3*	8.3*	7.5*	7.5*	6.9*	6.9*	6.1*	6.3*	5.8*	6.0*	20.1		
-1.5	4 pt. outriggers down	10.9*	10.9*	17.6*	17.6*	14.4*	14.4*	12.2*	12.2*	10.9*	10.9*	10.6*	10.6*	9.4*	9.4*	8.4*	8.4*	7.6*	7.6*	6.8*	6.8*	6.0*	6.1*			5.8*	5.9*	19.9		
-3.0	4 pt. outriggers down	9.4*	9.4*	17.2*	17.2*	14.7*	14.7*	12.4*	12.4*	10.7*	10.7*	10.7*	10.7*	9.5*	9.5*	8.4*	8.4*	7.5*	7.5*	6.7*	6.8*	5.9*	5.9*			5.8*	5.8*	19.7		
-4.5	4 pt. outriggers down	9.2*	9.2*	14.9*	14.9*	14.6*	14.6*	12.4*	12.4*	10.7*	10.7*	10.7*	10.7*	9.4*	9.4*	8.3*	8.3*	7.4*	7.4*	6.5*	6.5*					5.7*	5.7*	19.2		
-6.0	4 pt. outriggers down	9.5*	9.5*	14.2*	14.2*	14.2*	14.2*	12.1*	12.1*	10.5*	10.5*	10.5*	10.5*	9.2*	9.2*	8.1*	8.1*	7.1*	7.1*	6.1*	6.1*					5.5*	5.5*	18.7		
-7.5	4 pt. outriggers down	10.0*	10.0*	14.2*	14.2*	13.4*	13.4*	11.5*	11.5*	10.0*	10.0*	10.0*	10.0*	8.7*	8.7*	7.6*	7.6*	6.5*	6.5*							5.3*	5.3*	17.9		
	4 pt. outriggers down			14.1*	14.1*	12.2*	12.2*	10.5*	10.5*	9.1*	9.1*	9.1*	9.1*	7.9*	7.9*	6.7*	6.7*									6.3*	6.3*	15.6		

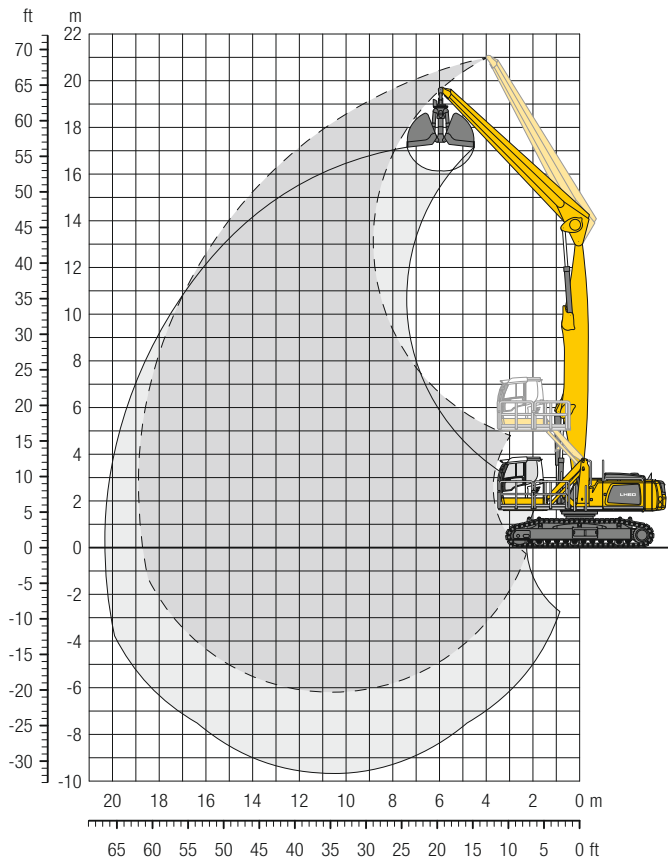
Height **Can be slewed through 360°** **In longitudinal position of undercarriage** **Max. reach** * Limited by hydr. capacity

The lift capacities on the stick end without attachment are stated in metric tons (t) and are valid on a firm, level supporting surface with blocked oscillating axle. These capacities can be slewed through 360° with the undercarriage in the transverse position. Capacities in the longitudinal position of the undercarriage (+/- 15°) are specified over the rigid axle with the stabilizers down. Indicated loads based on the ISO 10567 standard and do not exceed 75% of tipping or 87% of hydraulic capacity. The lift capacity values indicated are attained at the corresponding operating temperature. This operating temperature is ensured by continuous movement of the boom. Weights of fitted attachments (grabs, load hooks, etc.) and load accommodation attachment are to be deducted from the lift capacity values. The lift capacity of the unit is limited by its stability, the lifting capability of the hydraulic elements, or the maximum permissible lifting capacity of the load hook.

In accordance with the harmonised European Standard EN 474-5, hydraulic excavators used for lifting operations must be equipped with pipe fracture safety valves, an overload warning device, a load hook and a lift capacity chart.

LH 60 C – Equipment GG19

Port – Kinematic 2A

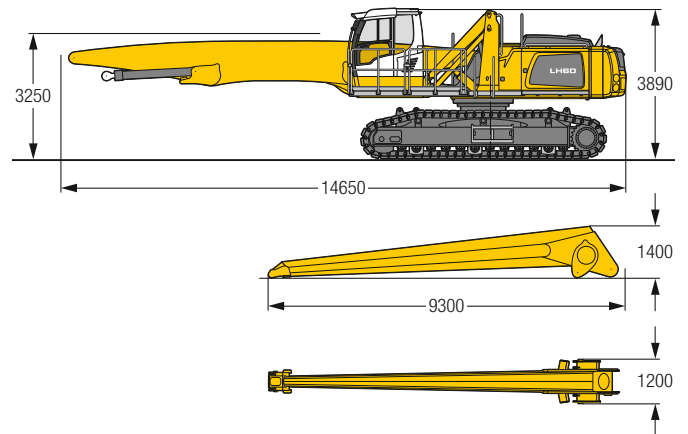


Operating Weight and Ground Pressure

The operating weight includes the basic machine with hydr. cab elevation, straight boom 10.50 m, straight stick 8.80 m and grab for loose material GMZ 80/4.00 m³.

Weight	66,000 kg
Pad width	750 mm
Ground pressure	on request

Dimensions



m	Undercarriage	6.0 m		7.5 m		9.0 m		10.5 m		12.0 m		13.5 m		15.0 m		16.5 m		18.0 m		19.5 m		21.0 m		22.5 m		m		
		SW	SW	SW	SW	SW	SW	SW	SW	SW	SW	SW	SW	SW	SW	SW	SW	SW	SW	SW	SW	SW	SW	SW	SW	SW	SW	SW
19.5	SW			11.6*	11.6*																					10.3*	10.3*	8.2
18.0	SW			12.9*	12.9*																					8.6*	8.6*	10.8
16.5	SW					11.5*	11.5*	9.3*	9.3*																	7.7*	7.7*	12.7
15.0	SW					12.4*	12.4*	11.2*	11.2*	9.3*	9.3*															7.2*	7.2*	14.2
13.5	SW					12.3*	12.3*	11.2*	11.2*	10.4*	10.4*	8.8*	8.8*													6.8*	6.8*	15.4
12.0	SW					12.4*	12.4*	11.2*	11.2*	10.3*	10.3*	9.6*	9.6*	8.5	9.0*											6.5*	6.5*	16.3
10.5	SW					12.5*	12.5*	11.4*	11.4*	10.4*	10.4*	9.6*	9.6*	8.5	9.0*	7.2	8.2*									6.4*	6.4*	17.1
9.0	SW					12.9*	12.9*	11.6*	11.6*	10.6*	10.6*	9.7*	9.7*	8.5	9.0*	7.1	8.4*									6.2	6.3*	17.8
7.5	SW					13.8*	13.8*	13.4*	13.4*	12.0*	12.0*	10.8*	10.8*	8.3	9.1*	7.1	8.4*	6.0	7.1*							5.9	6.2*	18.2
6.0	SW	13.4*	13.4*	16.0*	16.0*	14.0*	14.0*	12.4*	12.4*	11.1*	11.1*	9.7	10.1*	8.2	9.2*	7.0	8.4*	6.0	7.5							5.7	6.3*	18.6
4.5	SW	19.8*	19.8*	17.3*	17.3*	14.7*	14.7*	12.8*	12.8*	11.3	11.4*	9.4	10.2*	8.0	9.3*	6.9	8.4*	5.9	7.5							5.5	6.3*	18.8
3.0	SW	23.1*	23.1*	18.4*	18.4*	15.4*	15.4*	13.3*	13.3*	10.9	11.7*	9.2	10.4*	7.8	9.4*	6.7	8.4*	5.9	7.4							5.4	6.4*	18.9
1.5	SW	24.2*	24.2*	19.2*	19.2*	15.9*	15.9*	12.8	13.6*	10.5	11.9*	8.9	10.5*	7.6	9.3*	6.6	8.3*	5.8	7.2*							5.4	6.3*	18.9
0	SW	11.6*	11.6*	19.6*	19.6*	15.2	16.2*	12.3	13.7*	10.2	11.9*	8.7	10.5*	7.5	9.2*	6.5	8.1*	5.7	6.8*							5.4	5.9*	18.7
-1.5	SW	9.8*	9.8*	19.0	19.4*	14.7	16.1*	11.9	13.6*	9.9	11.7*	8.5	10.2*	7.3	8.9*	6.4	7.6*	5.7	6.1*							5.5*	5.5*	18.4
-3.0	SW	9.9*	9.9*	18.4*	18.4*	14.4	15.4*	11.6	13.1*	9.7	11.3*	8.3	9.7*	7.2	8.3*	6.4	6.9*									5.8*	5.8*	17.4
-4.5	SW	10.7*	10.7*	16.7*	16.7*	14.2	14.2*	11.5	12.1*	9.6	10.4*	8.2	8.8*	7.2	7.4*											6.5*	6.5*	15.8
-6.0	SW					12.2*	12.2*	10.5*	10.5*	8.9*	8.9*															8.3*	8.3*	12.6

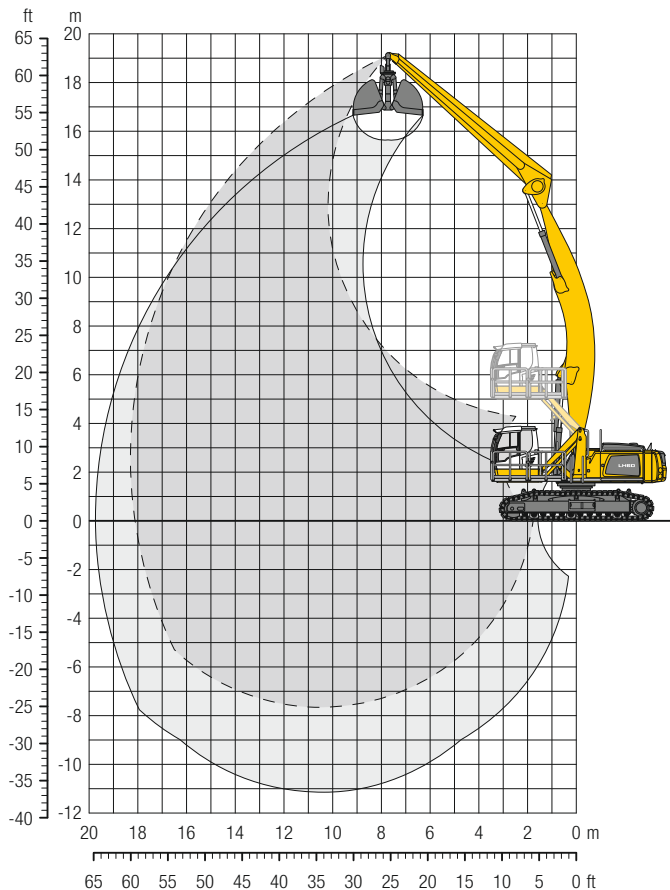
Height **Can be slewed through 360°** **In longitudinal position of undercarriage** **Max. reach** *** Limited by hydr. capacity**

The lift capacities on the stick end without attachment are stated in metric tons (t) and can be slewed through 360° on a firm, level supporting surface. Capacities are valid for 750 mm wide triple grouser pads. Indicated loads based on the ISO 10567 standard and do not exceed 75% of tipping or 87% of hydraulic capacity. The lift capacity values indicated are attained at the corresponding operating temperature. This operating temperature is ensured by continuous movement of the boom. Weights of fitted attachments (grabs, load hooks, etc.) and load accommodation attachment are to be deducted from the lift capacity values. The lift capacity of the unit is limited by its stability, the lifting capability of the hydraulic elements, or the maximum permissible lifting capacity of the load hook.

In accordance with the harmonised European Standard EN 474-5, hydraulic excavators used for lifting operations must be equipped with pipe fracture safety valves, an overload warning device, a load hook and a lift capacity chart.

LH 60 C – Equipment AG18

Port – Kinematic 2D

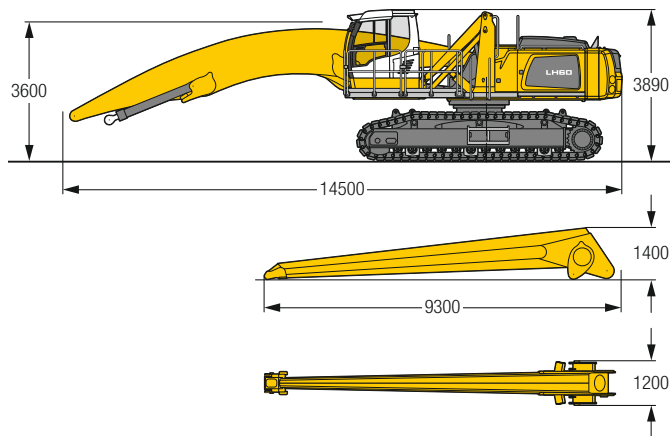


Operating Weight and Ground Pressure

The operating weight includes the basic machine with hydr. cab elevation, angled boom 10.50 m, straight stick 8.80 m and grab for loose material GMZ 80/4.00 m³.

Weight	66,500 kg
Pad width	750 mm
Ground pressure	on request

Dimensions



m	Undercarriage	6.0 m		7.5 m		9.0 m		10.5 m		12.0 m		13.5 m		15.0 m		16.5 m		18.0 m		19.5 m		21.0 m		22.5 m		m			
		SW	SW	SW	SW	SW	SW	SW	SW	SW	SW	SW	SW	SW	SW	SW	SW	SW	SW	SW	SW	SW	SW	SW	SW	SW	SW	SW	
18.0	SW					9.2*	9.2*																			8.1*	8.1*	9.7	
16.5	SW							9.3*	9.3*																		7.3*	7.3*	11.8
15.0	SW							9.8*	9.8*	9.1*	9.1*																6.8*	6.8*	13.4
13.5	SW							9.6*	9.6*	9.0*	9.0*	8.6*	8.6*														6.5*	6.5*	14.6
12.0	SW							9.6*	9.6*	9.0*	9.0*	8.5*	8.5*	7.8*	7.8*												6.4*	6.4*	15.7
10.5	SW							9.8*	9.8*	9.1*	9.1*	8.5*	8.5*	8.1*	8.1*												6.3*	6.3*	16.5
9.0	SW							10.0*	10.0*	9.3*	9.3*	8.6*	8.6*	8.1*	8.1*	7.2	7.2*										6.2*	6.2*	17.1
7.5	SW					11.5*	11.5*	10.4*	10.4*	9.5*	9.5*	8.8*	8.8*	8.2*	8.2*	7.1	7.1*										6.3*	6.3*	17.6
6.0	SW			14.0*	14.0*	12.2*	12.2*	10.9*	10.9*	9.9*	9.9*	9.1*	9.1*	8.3	8.4*	7.0	7.8*										6.0	6.3*	18.0
4.5	SW	18.5*	18.5*	15.2*	15.2*	13.0*	13.0*	11.4*	11.4*	10.2*	10.2*	9.3*	9.3*	8.1	8.6*	6.9	7.9*	5.9	7.1*								5.8	6.5*	18.2
3.0	SW	20.6*	20.6*	16.5*	16.5*	13.8*	13.8*	12.0*	12.0*	10.6*	10.6*	9.3	9.6*	7.9	8.7*	6.7	8.0*	5.8	7.4								5.7	6.7*	18.3
1.5	SW	22.4*	22.4*	17.6*	17.6*	14.6*	14.6*	12.5*	12.5*	10.6	11.0*	8.9	9.8*	7.6	8.9*	6.6	8.1*	5.7	7.3								5.6	6.9*	18.3
0	SW	15.9*	15.9*	18.5*	18.5*	15.2*	15.2*	12.3	12.9*	10.2	11.3*	8.7	10.0*	7.4	9.0*	6.4	8.1*	5.7	7.2								5.6	7.1*	18.1
-1.5	SW	12.6*	12.6*	18.9*	18.9*	14.7	15.5*	11.9	13.2*	9.9	11.4*	8.4	10.1*	7.3	9.0*	6.3	8.0*										5.7	7.0*	17.8
-3.0	SW	11.9*	11.9*	18.4	18.8*	14.2	15.5*	11.6	13.2*	9.6	11.4*	8.2	10.0*	7.1	8.8*	6.3	7.7*										5.8	6.9*	17.4
-4.5	SW	12.1*	12.1*	18.1	18.1*	14.0	15.1*	11.3	12.9*	9.5	11.1*	8.1	9.6*	7.0	8.4*	6.2	7.0*										6.0	6.6*	16.9
-6.0	SW	12.7*	12.7*	16.8*	16.8*	13.8	14.2*	11.2	12.1*	9.4	10.4*	8.0	8.9*	7.0	7.5*												6.6	6.8*	15.7
-7.5	SW					12.6*	12.6*	10.8*	10.8*	9.2*	9.2*																8.8*	8.8*	12.4

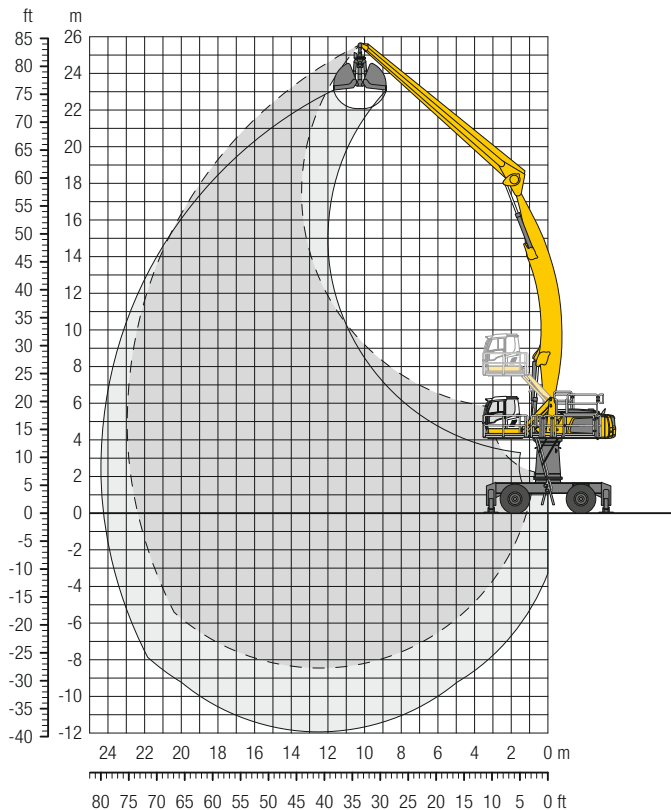
Height Can be slewed through 360° In longitudinal position of undercarriage Max. reach * Limited by hydr. capacity

The lift capacities on the stick end without attachment are stated in metric tons (t) and can be slewed through 360° on a firm, level supporting surface. Capacities are valid for 750 mm wide triple grouser pads. Indicated loads based on the ISO 10567 standard and do not exceed 75% of tipping or 87% of hydraulic capacity. The lift capacity values indicated are attained at the corresponding operating temperature. This operating temperature is ensured by continuous movement of the boom. Weights of fitted attachments (grabs, load hooks, etc.) and load accommodation attachment are to be deducted from the lift capacity values. The lift capacity of the unit is limited by its stability, the lifting capability of the hydraulic elements, or the maximum permissible lifting capacity of the load hook.

In accordance with the harmonised European Standard EN 474-5, hydraulic excavators used for lifting operations must be equipped with pipe fracture safety valves, an overload warning device, a load hook and a lift capacity chart.

LH 60 M HR – Equipment AG23

Port – Kinematic 2D

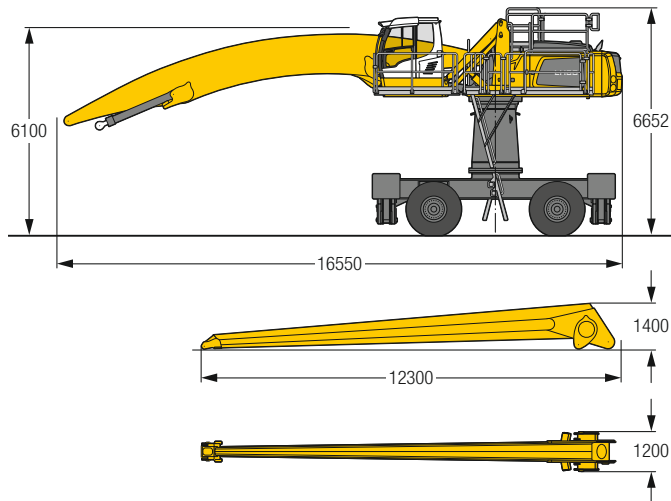


Operating Weight

The operating weight includes the basic machine with 4 point outriggers, turret 2,000 mm, hydr. cab elevation, 4 solid tyres, angled boom 12.50 m, straight stick 11.80 m and grab for loose material GMZ 80/3.50 m³.

Weight 76,200 kg

Dimensions



	6.0 m	7.5 m	9.0 m	10.5 m	12.0 m	13.5 m	15.0 m	16.5 m	18.0 m	19.5 m	21.0 m	22.5 m	
m													m
Undercarriage													
25.5 4 pt. outriggers down													6.3* 6.3*
24.0 4 pt. outriggers down													5.5* 5.5*
22.5 4 pt. outriggers down													5.1* 5.1*
21.0 4 pt. outriggers down													4.8* 4.8*
19.5 4 pt. outriggers down													4.6* 4.6*
18.0 4 pt. outriggers down													4.5* 4.5*
16.5 4 pt. outriggers down													4.4* 4.4*
15.0 4 pt. outriggers down													4.3* 4.3*
13.5 4 pt. outriggers down													4.3* 4.3*
12.0 4 pt. outriggers down													4.3* 4.3*
10.5 4 pt. outriggers down													4.3* 4.3*
9.0 4 pt. outriggers down													4.4* 4.4*
7.5 4 pt. outriggers down													4.5* 4.5*
6.0 4 pt. outriggers down													4.6* 4.6*
4.5 4 pt. outriggers down													4.7* 4.7*
3.0 4 pt. outriggers down													4.6* 4.6*
1.5 4 pt. outriggers down													4.6* 4.6*
0 4 pt. outriggers down													4.5* 4.5*
-1.5 4 pt. outriggers down													4.4* 4.4*
-3.0 4 pt. outriggers down													4.3* 4.3*
-4.5 4 pt. outriggers down													4.1* 4.1*
-6.0 4 pt. outriggers down													4.2* 4.2*
-7.5 4 pt. outriggers down													5.0* 5.0*

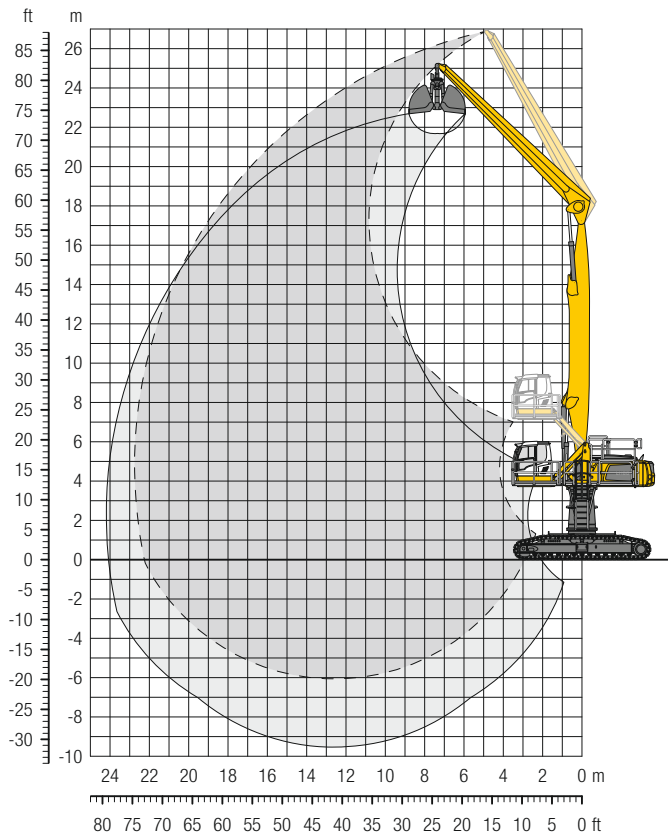
Height **Can be slewed through 360°** **In longitudinal position of undercarriage** **Max. reach** * Limited by hydr. capacity

The lift capacities on the stick end without attachment are stated in metric tons (t) and are valid on a firm, level supporting surface with blocked oscillating axle. These capacities can be slewed through 360° with the undercarriage in the transverse position. Capacities in the longitudinal position of the undercarriage (+/- 15°) are specified over the rigid axle with the stabilizers down. Indicated loads based on the ISO 10567 standard and do not exceed 75% of tipping or 87% of hydraulic capacity. The lift capacity values indicated are attained at the corresponding operating temperature. This operating temperature is ensured by continuous movement of the boom. Weights of fitted attachments (grabs, load hooks, etc.) and load accommodation attachment are to be deducted from the lift capacity values. The lift capacity of the unit is limited by its stability, the lifting capability of the hydraulic elements, or the maximum permissible lifting capacity of the load hook.

In accordance with the harmonised European Standard EN 474-5, hydraulic excavators used for lifting operations must be equipped with pipe fracture safety valves, an overload warning device, a load hook and a lift capacity chart.

LH 60 C HR – Equipment GG23

Port – Kinematic 2A

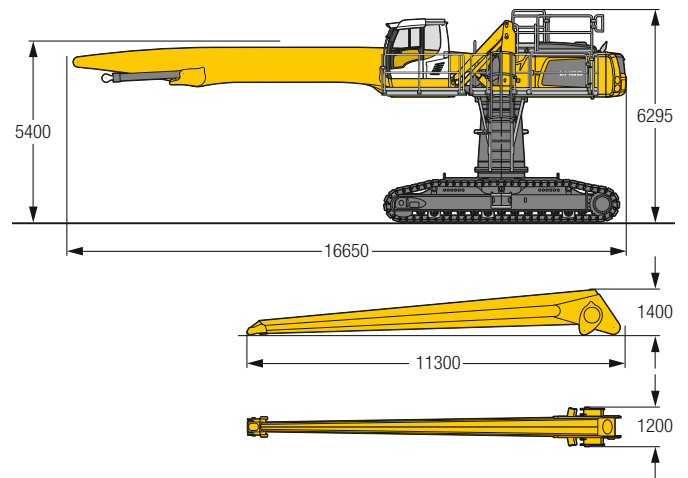


Operating Weight and Ground Pressure

The operating weight includes the basic machine with turret 2,000 mm, hydr. cab elevation, straight boom 12.50 m, straight stick 10.80 m and grab for loose material GMZ 80/3.50 m³.

Weight	76,400 kg
Pad width	750 mm
Ground pressure	on request

Dimensions



m	Undercarriage	6.0 m		7.5 m		9.0 m		10.5 m		12.0 m		13.5 m		15.0 m		16.5 m		18.0 m		19.5 m		21.0 m		22.5 m		m								
		SW	SW	SW	SW	SW	SW	SW	SW	SW	SW	SW	SW	SW	SW	SW	SW	SW	SW	SW	SW	SW	SW	SW	SW	SW	SW	SW						
25.5	SW			10.4*	10.4*	8.7*	8.7*																			8.5*	8.5*	9.1						
24.0	SW					10.1*	10.1*	8.9*	8.9*																	7.1*	7.1*	12.0						
22.5	SW							9.7*	9.7*	8.8*	8.8*	7.3*	7.3*													6.4*	6.4*	14.1						
21.0	SW							10.1*	10.1*	9.4*	9.4*	8.6*	8.6*	7.2*	7.2*											5.9*	5.9*	15.9						
19.5	SW									9.3*	9.3*	8.5*	8.5*	7.9*	7.9*	6.8*	6.8*									5.5*	5.5*	17.3						
18.0	SW									9.2*	9.2*	8.4*	8.4*	7.8*	7.8*	7.2*	7.2*	6.2*	6.2*							5.3*	5.3*	18.5						
16.5	SW									9.2*	9.2*	8.4*	8.4*	7.8*	7.8*	7.2*	7.2*	6.7*	6.7*							5.1*	5.1*	19.5						
15.0	SW									9.2*	9.2*	8.4*	8.4*	7.8*	7.8*	7.2*	7.2*	6.7*	6.7*	6.2*	6.2*					5.0*	5.0*	20.3						
13.5	SW									10.3*	10.3*	9.3*	9.3*	8.5*	8.5*	7.8*	7.8*	7.2*	7.2*	6.7*	6.7*	6.2*	6.2*			4.9*	4.9*	21.0						
12.0	SW									10.5*	10.5*	9.5*	9.5*	8.6*	8.6*	7.9*	7.9*	7.3*	7.3*	6.7*	6.7*	6.2*	6.2*	5.7*	5.7*	4.9*	4.9*	21.6						
10.5	SW									10.8*	10.8*	9.7*	9.7*	8.7*	8.7*	8.0*	8.0*	7.3*	7.3*	6.8*	6.8*	6.2*	6.2*	5.7*	5.7*	4.8*	4.8*	22.0						
9.0	SW									9.9*	9.9*	8.9*	8.9*	8.1*	8.1*	7.4*	7.4*	6.8*	6.8*	6.2*	6.2*	5.7*	5.7*			4.8*	4.8*	22.3						
7.5	SW									10.6*	10.6*	13.3*	13.3*	11.5*	11.5*	10.1*	10.1*	9.1*	9.1*	8.2*	8.2*	7.5*	7.5*	6.8*	6.8*	6.2*	6.2*	5.7*	5.7*	22.6				
6.0	SW									20.7*	20.7*	16.5*	16.5*	13.8*	13.8*	11.8*	11.8*	10.4*	10.4*	9.2*	9.2*	8.3*	8.3*	7.5*	7.5*	6.8*	6.8*	6.2*	6.2*	5.0*	5.0*	22.7		
4.5	SW									21.9*	21.9*	17.3*	17.3*	14.2*	14.2*	12.1*	12.1*	10.6*	10.6*	9.3*	9.3*	8.4*	8.4*	7.5*	7.5*	6.8*	6.8*	6.2*	6.2*	5.5*	5.5*	4.7*	4.7*	22.8
3.0	SW									7.5*	7.5*	17.7*	17.7*	14.6*	14.6*	12.3*	12.3*	10.7*	10.7*	9.4*	9.4*	8.4*	8.4*	7.5*	7.5*	6.8*	6.8*	6.1*	6.1*	5.4*	5.4*	4.4*	4.4*	22.7
1.5	SW									5.4*	5.4*	12.9*	12.9*	14.6*	14.6*	12.4*	12.4*	10.7*	10.7*	9.4*	9.4*	8.3*	8.3*	7.4*	7.4*	6.6*	6.6*	5.9*	5.9*	5.1*	5.1*	4.0*	4.0*	22.5
0	SW									5.2*	5.2*	10.1*	10.1*	14.4*	14.4*	12.2*	12.2*	10.6*	10.6*	9.2*	9.2*	8.2*	8.2*	7.2*	7.2*	6.4*	6.4*	5.6*	5.6*	4.7*	4.7*	3.6*	3.6*	22.3
-1.5	SW									5.6*	5.6*	9.4*	9.4*	13.8*	13.8*	11.8*	11.8*	10.2*	10.2*	8.9*	8.9*	7.9*	7.9*	6.9*	6.9*	6.0*	6.0*	5.2*	5.2*	4.1*	4.1*	3.7*	3.7*	21.4
-3.0	SW									6.3*	6.3*	9.5*	9.5*	12.8*	12.8*	11.1*	11.1*	9.6*	9.6*	8.4*	8.4*	7.4*	7.4*	6.4*	6.4*	5.5*	5.5*	4.5*	4.5*	4.0*	4.0*	20.1		
-4.5	SW									10.0*	10.0*	11.3*	11.3*	9.9*	9.9*	8.7*	8.7*	7.6*	7.6*	6.6*	6.6*	5.6*	5.6*	4.7*	4.7*			4.5*	4.5*	18.2				
-6.0	SW									7.4*	7.4*	6.5*	6.5*														6.2*	6.2*	13.8					

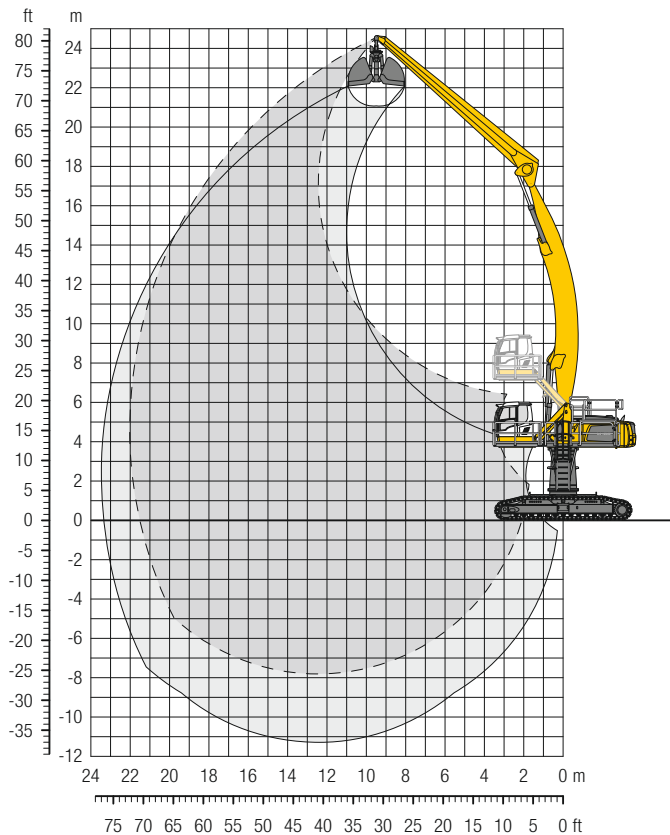
Height **Can be slewed through 360°** **In longitudinal position of undercarriage** **Max. reach** * **Limited by hydr. capacity**

The lift capacities on the stick end without attachment are stated in metric tons (t) and can be slewed through 360° on a firm, level supporting surface. Capacities are valid for 750 mm wide flat pads. Indicated loads based on the ISO 10567 standard and do not exceed 75% of tipping or 87% of hydraulic capacity. The lift capacity values indicated are attained at the corresponding operating temperature. This operating temperature is ensured by continuous movement of the boom. Weights of fitted attachments (grabs, load hooks, etc.) and load accommodation attachment are to be deducted from the lift capacity values. The lift capacity of the unit is limited by its stability, the lifting capability of the hydraulic elements, or the maximum permissible lifting capacity of the load hook.

In accordance with the harmonised European Standard EN 474-5, hydraulic excavators used for lifting operations must be equipped with pipe fracture safety valves, an overload warning device, a load hook and a lift capacity chart.

LH 60 C HR – Equipment AG22

Port – Kinematic 2D

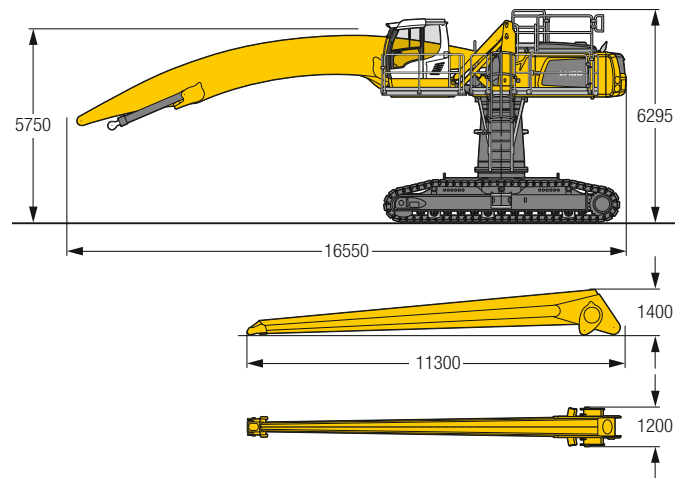


Operating Weight and Ground Pressure

The operating weight includes the basic machine with turret 2,000 mm, hydr. cab elevation, angled boom 12.50 m, straight stick 10.80 m and grab for loose material GMZ 80/3.50 m³.

Weight	77,000 kg
Pad width	750 mm
Ground pressure	on request

Dimensions




m	Undercarriage	6.0 m		7.5 m		9.0 m		10.5 m		12.0 m		13.5 m		15.0 m		16.5 m		18.0 m		19.5 m		21.0 m		22.5 m		m		
		SW	SW	SW	SW	SW	SW	SW	SW	SW	SW	SW	SW	SW	SW	SW	SW	SW	SW	SW	SW	SW	SW	SW	SW	SW	SW	SW
24.0	SW							6.8*	6.8*																	6.7*	6.7*	10.6
22.5	SW									7.0*	7.0*															6.0*	6.0*	12.9
21.0	SW									8.0*	8.0*	7.0*	7.0*													5.6*	5.6*	14.8
19.5	SW											7.3*	7.3*	6.8*	6.8*											5.3*	5.3*	16.3
18.0	SW											7.2*	7.2*	6.7*	6.7*	6.3*	6.3*									5.1*	5.1*	17.6
16.5	SW											7.2*	7.2*	6.7*	6.7*	6.3*	6.3*	5.8*	5.8*							5.0*	5.0*	18.6
15.0	SW											7.2*	7.2*	6.7*	6.7*	6.3*	6.3*	5.9*	5.9*							4.9*	4.9*	19.5
13.5	SW									7.9*	7.9*	7.3*	7.3*	6.8*	6.8*	6.3*	6.3*	5.9*	5.9*	5.6*	5.6*					4.8*	4.8*	20.2
12.0	SW									8.1*	8.1*	7.4*	7.4*	6.8*	6.8*	6.4*	6.4*	6.0*	6.0*	5.6*	5.6*					4.8*	4.8*	20.8
10.5	SW											9.2*	9.2*	8.3*	8.3*	7.6*	7.6*	7.0*	7.0*	6.4*	6.4*	6.0*	6.0*	5.6*	5.6*	5.3*	5.3*	21.3
9.0	SW													8.6*	8.6*	7.8*	7.8*	7.1*	7.1*	6.5*	6.5*	6.1*	6.1*	5.7*	5.7*	5.3*	5.3*	21.6
7.5	SW													8.9*	8.9*	8.0*	8.0*	7.2*	7.2*	6.7*	6.7*	6.2*	6.2*	5.7*	5.7*	5.3*	5.3*	21.9
6.0	SW													9.2*	9.2*	8.2*	8.2*	7.4*	7.4*	6.8*	6.8*	6.2*	6.2*	5.8*	5.8*	5.3*	5.3*	22.0
4.5	SW													9.4*	9.4*	8.4*	8.4*	7.6*	7.6*	6.9*	6.9*	6.3*	6.3*	5.8*	5.8*	5.3*	5.3*	22.0
3.0	SW													9.7*	9.7*	8.6*	8.6*	7.7*	7.7*	7.0*	7.0*	6.4*	6.4*	5.8*	5.8*	5.3*	5.3*	22.0
1.5	SW													9.9*	9.9*	8.7*	8.7*	7.8*	7.8*	7.0*	7.0*	6.4*	6.4*	5.8*	5.8*	5.2*	5.2*	21.8
0	SW													10.0*	10.0*	8.8*	8.8*	7.8*	7.8*	7.0*	7.0*	6.3*	6.3*	5.7*	5.7*	5.1*	5.1*	21.5
-1.5	SW													10.0*	10.0*	8.8*	8.8*	7.8*	7.8*	7.0*	7.0*	6.2*	6.2*	5.5*	5.5*	4.8*	4.8*	21.1
-3.0	SW													9.8*	9.8*	8.6*	8.6*	7.6*	7.6*	6.8*	6.8*	6.0*	6.0*	5.2*	5.2*			20.6
-4.5	SW													9.5*	9.5*	8.3*	8.3*	7.3*	7.3*	6.4*	6.4*	5.6*	5.6*	4.7*	4.7*			20.0
-6.0	SW													9.0*	9.0*	7.9*	7.9*	6.8*	6.8*	5.9*	5.9*	4.9*	4.9*					18.5
-7.5	SW													9.0*	9.0*	7.9*	7.9*	6.8*	6.8*	5.9*	5.9*							15.1


Height **Can be slewed through 360°** **In longitudinal position of undercarriage** **Max. reach** * Limited by hydr. capacity


The lift capacities on the stick end without attachment are stated in metric tons (t) and can be slewed through 360° on a firm, level supporting surface. Capacities are valid for 750 mm wide flat pads. Indicated loads based on the ISO 10567 standard and do not exceed 75% of tipping or 87% of hydraulic capacity. The lift capacity values indicated are attained at the corresponding operating temperature. This operating temperature is ensured by continuous movement of the boom. Weights of fitted attachments (grabs, load hooks, etc.) and load accommodation attachment are to be deducted from the lift capacity values. The lift capacity of the unit is limited by its stability, the lifting capability of the hydraulic elements, or the maximum permissible lifting capacity of the load hook.


In accordance with the harmonised European Standard EN 474-5, hydraulic excavators used for lifting operations must be equipped with pipe fracture safety valves, an overload warning device, a load hook and a lift capacity chart.

Equipment

 Undercarriage	60 M	60 C	60 M HR	60 C HR
Track pads, variants		+		+
Individual control outriggers	+		•	
Three-piece chain guide		•		•
Shuttle axle lock, automatic	•		•	
Outrigger monitoring system	+		+	
Tyres, variants	+		+	
Protection for piston rods, outriggers	+		+	
Two lockable storage compartments	•			

 Uppercarriage	60 M	60 C	60 M HR	60 C HR
Uppercarriage right side light, 1 piece, LED	•	•	•	•
Uppercarriage rear light, 2 pieces, LED	+	+		
Uppercarriage underneath rear light, 1 piece, LED			+	+
Refuelling system with filling pump	+	+	+	+
Railing on uppercarriage	+	+	•	•
Generator	+	+	+	+
Main battery switch for electrical system	•	•	•	•
Amber beacon, at uppercarriage, LED double flash	+	+	+	+
Protection for headlights	+	+		
Protection for rear lights	+	+		
Tool equipment, extended	•	•	•	•

 Hydraulic System	60 M	60 C	60 M HR	60 C HR
Electronic pump regulation	•	•	•	•
Liebherr hydraulic oil from -20 °C to +40 °C	•	•	•	•
Liebherr hydraulic oil, biologically degradable	+	+	+	+
Liebherr hydraulic oil, specially for warm or cold regions	+	+	+	+
Magnetic rod in hydraulic tank	•	•	•	•
Bypass filter	+	+	+	+
Preheating hydraulic oil	+	+	+	+

 Engine	60 M	60 C	60 M HR	60 C HR
Fuel anti-theft device	+	+	+	+
Air pre-filter with dust discharge	+	+	+	+
Automatic engine shut-down (time adjustable)	+	+	+	+
Preheating fuel	+	+	+	+
Preheating coolant	+	+	+	+
Preheating engine oil *	+	+	+	+

 Cooling System	60 M	60 C	60 M HR	60 C HR
Reversible fan drive, fully automatic	+	+	+	+
Protective grid in front of cooler intake	•	•	•	•



Operator's Cab

	60 M	60 C	60 M HR	60 C HR
Stabilizer, control lever, left console	+		+	
Stabilizer, proportional control on left joystick	•		•	
Cab lights rear, LED	+	+	+	+
Cab lights front, LED	+	+	+	+
Cab lights front, LED (under rain cover)	•	•	•	•
Armrest adjustable	•	•	•	•
Circular bubble level	+	+	•	•
Slewing gear brake Comfort, button on the left or right joystick	+	+	+	+
Driver profile, personalised (max. 5 drivers)	+	+	+	+
Operator's seat Comfort	•	•	•	•
Operator's seat Premium	+	+	+	+
Driving alarm				
(acoustic signal is emitted during travel, can be switched ON/OFF)	+	+	+	+
Fire extinguisher	+	+	+	+
Footrest	+	+	+	+
Horn, button on left joystick	•	•	•	•
Joystick steering	•			
Joystick and wheel steering (slim version)	+		+	
Cab elevation, hydraulic (LHC)	•	•	•	•
Cab elevation, hydraulic with double parallelogram (LHC-D)			+	+
Cab elevation, rigid (LFC)	+	+		
Automatic air conditioning	•	•	•	•
Wheel steering (slim version)	+		+	
LiDAT, vehicle fleet management	•	•	•	•
Proportional control	•	•	•	•
Radio Comfort, control via display with handsfree set	+	+	+	+
Preparation for radio installation	•	•	•	•
Back-up alarm				
(acoustic signal is emitted traveling backward, can not be switched off)	+		+	
Amber beacon, on cabin, LED double flash	+	+	+	+
Windows made from impact-resistant laminated safety glass	+	+	•	•
Windscreen wiper, roof	+	+	+	+
Windshield wiper, entire windscreen	•	•	•	•
Top guard	+	+	+	+
Front guard, adjustable	+	+	+	+
Sun visor	+	+	+	+
Left control console, folding	•	•	•	•



Equipment

	60 M	60 C	60 M HR	60 C HR
Boom lights, 2 pieces, LED	•	•	•	•
Stick lights, 2 pieces, LED	•	•	•	•
Boom shutoff (retract/extend), electronically	+	+	•	•
Equipment with electro-hydraulic end position control	•	•	•	•
AutoLift	+	+	+	+
Pressure warning mechanism hoist cylinder	•	•	•	•
ERC system	•	•	•	•
Filter system for attachment	+	+	+	+
Electronic lift limitation	+	+	+	+
Boom cylinder cushioning	•	•	•	•
Stick camera (with separate monitor), bottom side, with protection	+	+	+	+
Load torque limitation	+	+	+	+
Liebherr multi coupling system	+	+	+	+
Pipe fracture safety valves hoist cylinders	•	•	•	•
Pipe fracture safety valves stick cylinders	•	•	•	•
Quick coupling system MH 110B	+	+	+	+
Protection for piston rod, energy recovering cylinder	+	+	+	+
Protection for piston rods, hoist cylinder	+	+	+	+
Stick shutoff (retract), electronically	•	•		
Stick shutoff (retract/extend), electronically	+	+	•	•
Retract stick without pressure	•	•	•	•
Sticks with quick coupling	+	+	+	+
Overload warning device	+	+	+	+



Complete Machine

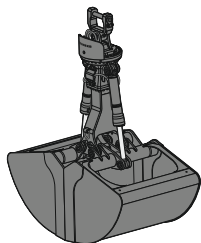
	60 M	60 C	60 M HR	60 C HR
Lubrication				
Lubrication undercarriage, manually – decentralised (grease points)	•			
Lubrication undercarriage, manually – centralised (one grease point)	+		•	
Central lubrication system for uppercarriage and equipment, automatically	•	•	•	•
Central lubrication system for undercarriage, automatically	+		+	
Central lubrication system, extension for attachment	+	+	+	+
Special coating				
Special coating, variants	+	+	+	+
Monitoring				
Rear view monitoring with camera	•	•	•	•
Side view monitoring with camera	•	•	•	•

• = Standard, + = Option

* = country-dependent

Options and/or special equipments, supplied by vendors other than Liebherr, are only to be installed with the knowledge and approval of Liebherr in order to retain warranty.

Attachments



Grab for Loose Material

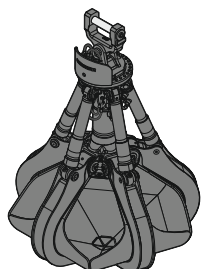
Shells for loose material with cutting edge (without teeth)

Grab model GMZ 50

Width of shells	mm	1,400	1,600	1,800	2,000	2,200	2,400	3,200
Capacity	m ³	3.50	4.00	4.50	5.00	5.50	6.00	8.00
Loose material, specific weight up to	t/m ³	1.1	1.1	1.1	1.1	1.1	1.1	1.1
Weight	kg	2,695	2,830	2,905	3,035	3,170	3,300	3,830

Grab model GMZ 80

Width of shells	mm	1,300	1,500	1,750	2,000	2,200	2,600	
Capacity	m ³	3.00	3.50	4.00	4.50	5.00	6.00	
Weight	kg	2,515	2,630	2,775	2,920	3,040	3,275	



Multi-Tine Grab

closed

Grab model GMM 80-5 (5 tines)

Capacity	m ³	1.10*	1.40*	1.70*		
Weight	kg	2,440	2,580	2,740		

Grab model GMM 120-5 (5 tines)

Capacity	m ³	1.70	2.00	2.50	3.00
----------	----------------	------	------	------	------

* heart-shaped



Wood Grab

Grab model GMH 50 round-shaped (overlapping, horizontal cylinders)

Size	m ²	2.50	2.50	2.80	3.20	3.60
Cutting width	mm	870	1,000	1,000	1,000	1,000
Height of grab, closed	mm	2,520	2,531	2,642	2,772	2,942
Weight	kg	2,115	2,190	2,270	2,330	2,390

Grab model GMH 80 round-shaped (complete overlapping, vertical cylinders)

Size	m ²	1.60	1.90	2.20	2.50	
Cutting width	mm	870	870	870	870	
Height of grab, closed	mm	3,202	3,332	3,487	3,582	
Weight	kg	2,195	2,240	2,255	2,315	

Load Hook

Max. load	t	12.5
Height with suspension	mm	930
Weight	kg	135

Magnet Devices / Lifting Magnets

Generator	kW	13/20/25
Electromagnet with suspension		
Power	kW	12.8/17.8
Diameter of magnet	mm	1,700
Weight	kg	3,280*

* only magnet plate

